

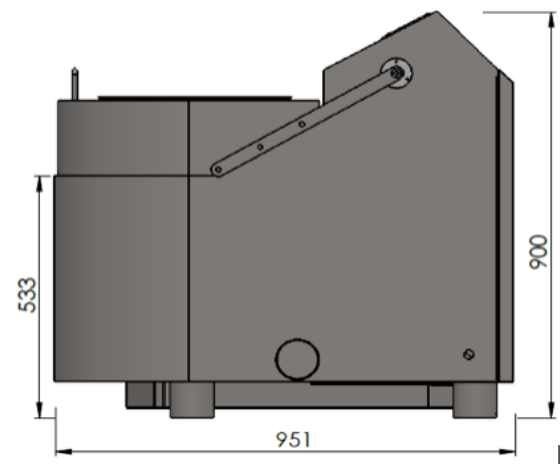
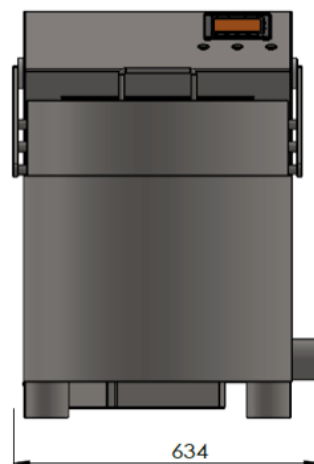
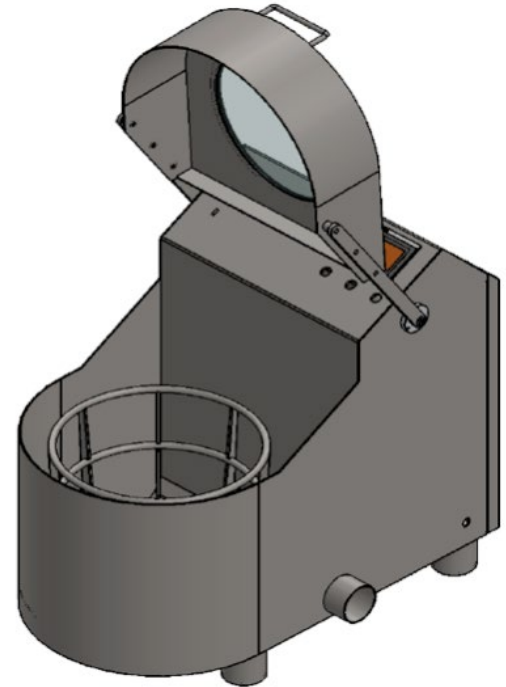
MANUAL SPIN DRYER

ADRY - 40

The Spin Dryer **Adry 40** is a robust heavy machine, with a fixed speed of 650 r.p.m., suitable to spin dry a wide variety of products like Iceberg Salad, Baby leaves, Herbs, carrots, cabbage, Vegetables and Fruits. The spin dryer is completely programmable, one can program a n. 20 different recipes. By programming we mean time, speed and rotation, the spin dryer can rotate in both directions, and have a slow - start function. The combination of the two functions, ensures an excellent spinning for delicate products within different cutting size.

The spin dryer is robust enough to support the spinning of such products as sliced or diced onions, carrots, vegetables, cabbage and others where the volume in the basket is too heavy.

The dryer is easy for clean and maintenance and the machine set-up is very easy due to the easy program settings that by the way can be blocked for the user.



ADVANTAGES:

- Easy to operate;
- Floor space saving;
- Easy to clean and maintain;
- Low loading height, less strain for operators and easy handling of the baskets;
- Easy programming and set-up;
- Slow - start and stop for delicate products;
- Fill rate up to 20 kg of product;
- The dryer has no vibration, due to the robust machine structure;

TECHNICAL SPECIFICATIONS:

- 230 volts, 50 HZ, 1.5 KW;
- Weight 200 kg;
- Size 951 x 634 x 900 mm;